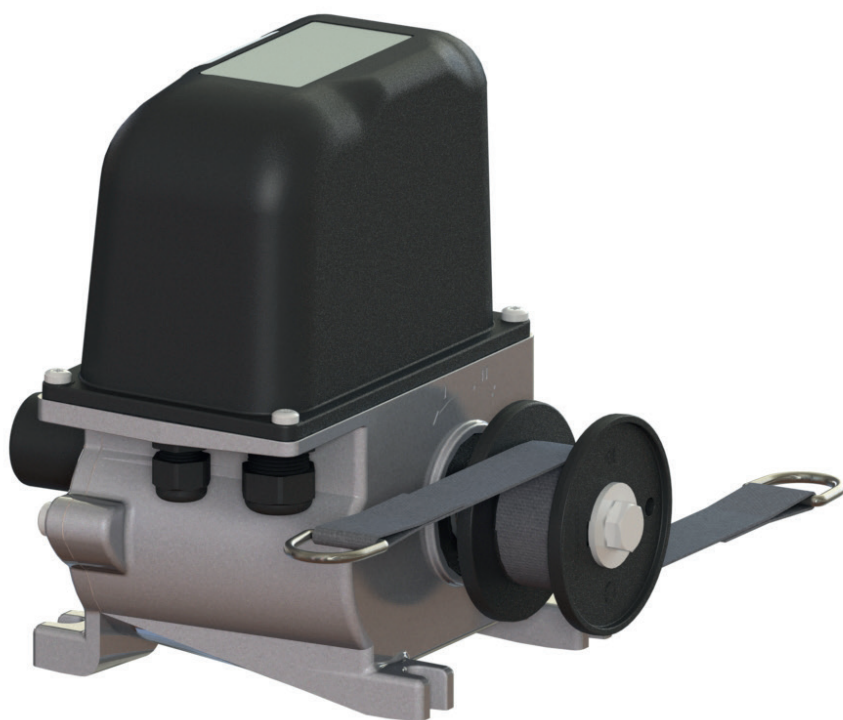


KL300 MultiWinch

Versatile 24V DC Winch motor



DEGIER
DRIVESYSTEMS

Let's gear up!

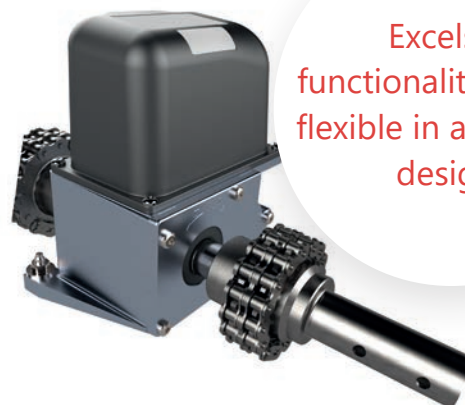
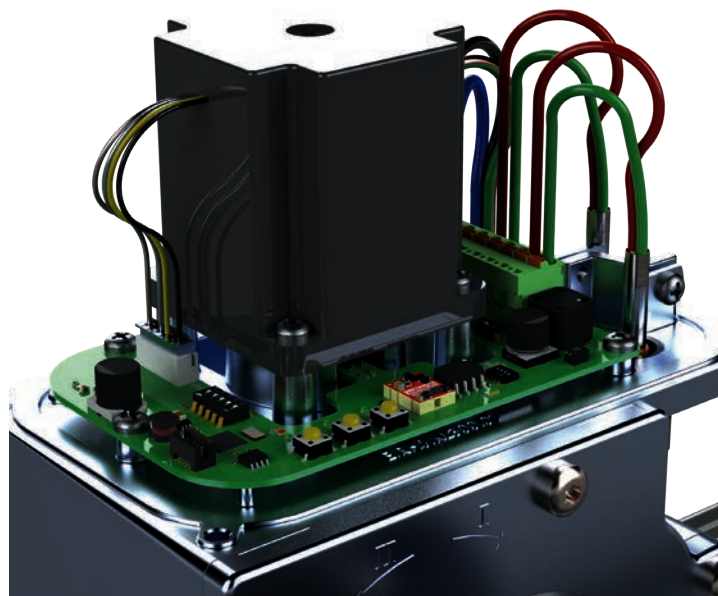
KL300 MultiWinch: Cleverly designed, smart and powerful

The KL300 MultiWinch gear motor has been specially developed for operating air inlets, mixing valves and vents for poultry and pig farms as well as storage facilities. Its advanced electronics and compact design make it the most versatile gear motor in this market segment. The powerful servomotor provides the compact KL300 MultiWinch a traction force of 340 kg. Our knowledge is gained from our practical experience, so we know that particularly high requirements are set for sealing. For example, the gearbox housing is made of corrosion-resistant aluminium. By choosing the correct materials, we have achieved the protection class rating of IP65. The smart design makes it easy to install and commission the gear motor. The KL300 MultiWinch is maintenance-free and is made for many years of carefree use in farm buildings and storage facilities.

Powerful and accurate

The KL300 MultiWinch is a powerful, self-breaking gear motor. With a traction force of 340 kg and a torque of 90 Nm, this gear motor can take on almost any ventilation task.

The standard speed of 0.8 revolutions per minute (0.4 rev/min. with the DIP switch on the PCB) enables highly accurate climate regulation.



Excels in functionality, strong, flexible in a compact design!

Controls and features

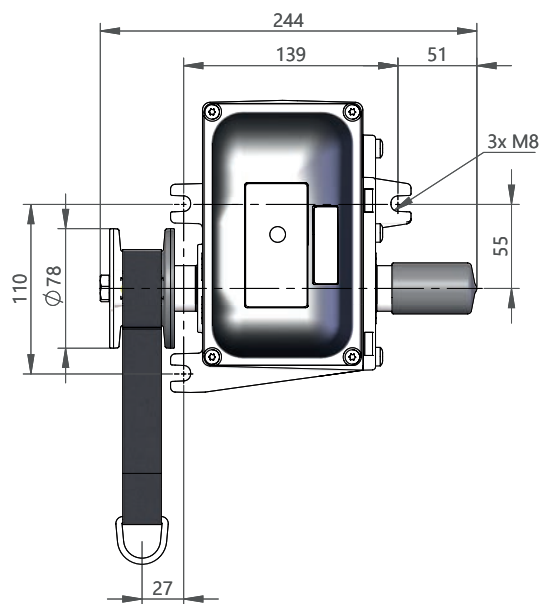
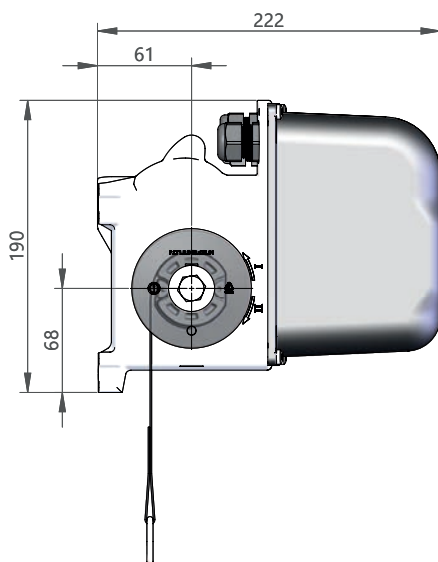
- Control signal 0 – 10 V DC from the climate controller.
- Power supply 24 V DC.
- Position feedback (an available option) to the climate computer via the bus system (CAN bus or Modbus).
- 0.8 rotational speed output (optionally adjustable to 0.4 revolutions per minute with DIP switch).
- Fast and simple to set up with 3 soft-touch knobs in combination with 5 LED indicator lights.
- Analysis of use and fault history readable from memory.
- Can be combined with all brands of climate computers.
- Option to connect a 24 V DC emergency power supply.

Description	Unit	Meaning
Output torque	Nm	90
Single winch drum pulling force	kg	340
Double winch drum pulling force	kg	170
Winch drum diameter	mm	50
Roll-up speed	cm/min	12 ~ 18 (6 ~ 9)
Standard output revolutions (optionally via DIP switch)	min	0.8 (0.4)
Number of rotations min./max.	omw.	0.05 / 100

Description	Unit	Meaning
Power	V	24V DC (+/- 10%)
Command signal	V	0-10V DC
Power consumption	W	72
Current	A	3
Continuous operation/max. time		100% unlimited

Description	Meaning
Position feedback	Yes
Type of feedback information	bus
Bus system, communication	CAN-bus, Modbus
Warning message	Yes, on position errors
Action of operating signal failure	To pre-set opening position
Cable connection and Cable gland size	1x M20x1,5 / 2x M16x1.5

Description	Unit	Meaning
Weight	kg	6.2 ~ 10.0
Casing material		Aluminium/High-grade plastic
Environment temperature	°C	0 ~ +40
IP rating		IP65



Articlenumber	Description	Axle 1	Axle 2
P.KL300.1.024.08.L	KL300 0.8 voor 24VDC for winch drum	D25 mm axle	D25 mm axle, protected
P.KL300.1.024.08.1.LB1.10	KL300 0.8 24VDC Ø50 belt winch 1 x 1,0 m	Belt-winchdrum Ø50 mm, 1 x1.0 m	D25 mm axle, protected
P.KL300.1.024.08.1.LB2.10	KL300 0.8 24VDC Ø50 belt winch 2 x 1,0 m	Belt-winchdrum Ø50 mm, 2 x1.0 m	D25 mm axle, protected

Extensive accessory package

KL300 MultiWinch available with:

- Drum and single belt of 1 meter or 2 meters.
- Drum and double belt of 1 meter.
- Tube-bolt chain coupling for 1" tube.
- THG30 racks in combination with bearing plates for opening and closing tunnel doors and ventilation hatches.
- 24DC control and emergency power supply.

Belt winch drums

P.LT1.B.KL300.D50



Winch belt L1000

P.LBD.25.1000K



Winch belt L2000

P.LBD.25.2000K



Tube-bolt chain coupling

P.BBKK10B.D25.D100



De Gier Drive Systems is one of the world's leading companies in drive systems for international horticulture, intensive livestock farming, crop storage and non-residential facilities. Our systems are used in ventilation, screening and hoisting solutions in glass greenhouses, poultry sheds, storage facilities and other buildings. We work with our customers, partners and suppliers to develop innovative, sustainable and user-friendly solutions. We invest in long-term relationships and global partners. We actively contribute to our customers' endeavours and we always provide a suitable solution. We do this based on mutual trust and flexibility.